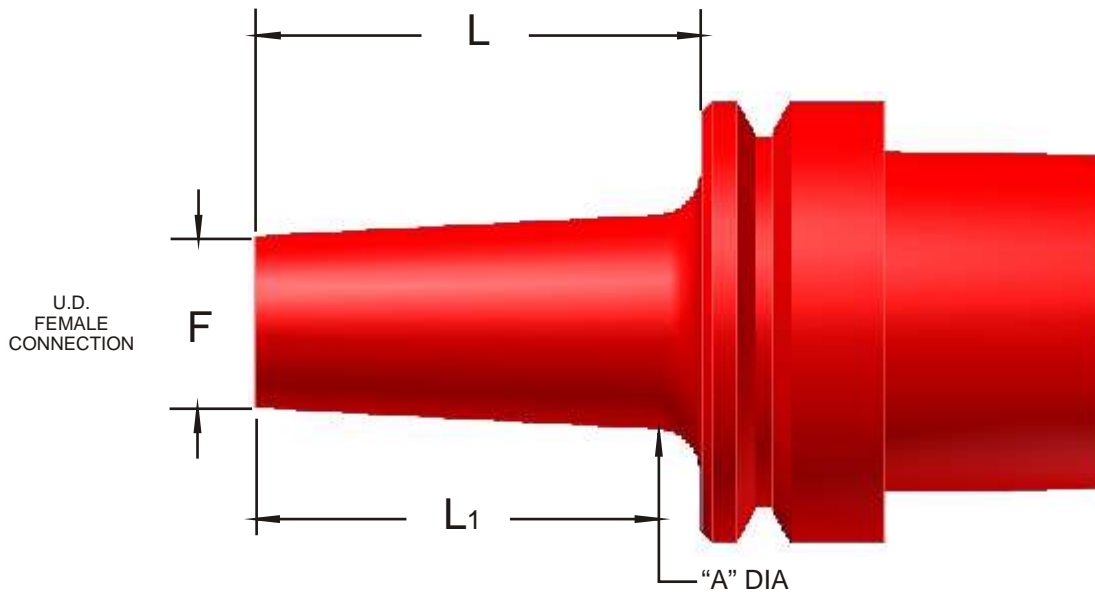


HSK63A ULTRA DRIVE SHANKS

* Assembles with endmill holders and cutterheads *

"ULTRA DRIVE SYSTEM"

ULTRA DRIVE HSK 63 STYLE TAPER STYLE
UDHS63A-30T-100
 LENGTH "L" ULTRA DRIVE STYLE



▲ Custom lengths available

CATALOG NUMBER	ULTRA DRIVE FEMALE CONNECTION	DIAMETER (A)	LENGTH (L)	LENGTH (L1)	LOCK SCREW NUMBER	"T" HANDLE ALLEN WRENCH
UDHS63A-30T-750	F75	.990	3.000	3.770	TS-7M	5M
UDHS63A-40T-750			4.000	2.770		
UDHS63A-30T-100	F10	1.240	3.000	3.770	TS-8M	6M
UDHS63A-40T-100			4.000	2.770		
UDHS63A-30T-125		1.490	3.000	2.830		
UDHS63A-40T-125	4.000		3.830			